

USER + HOW-TO GUIDE

**PROFESSIONAL
COMBINATION LADDER**

LFI
PRO

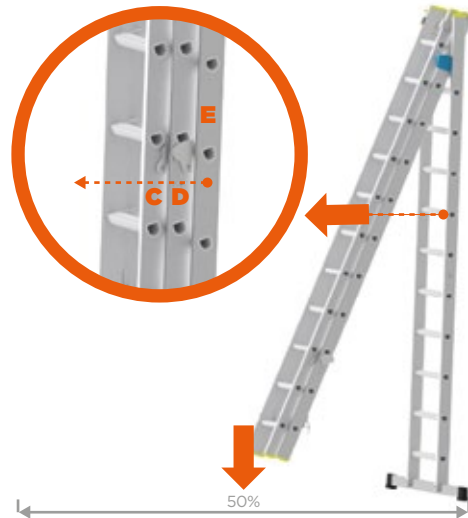
LFI
○

COMBINATION LADDER USER INSTRUCTIONS



1.0 STEP

Undo the ladder lock to the middle section, by moving it from position A to B.

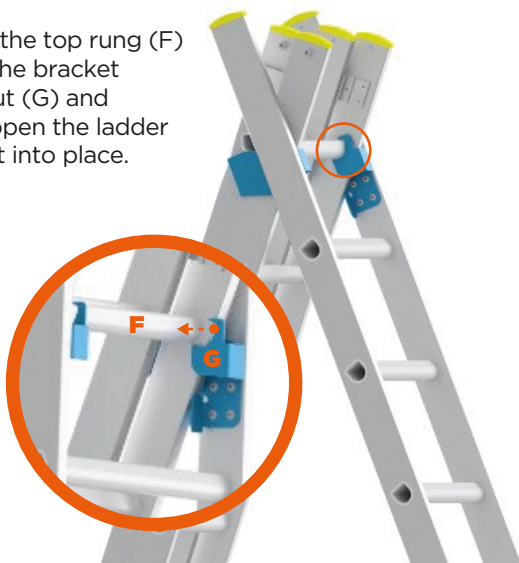


2.0 STEP

Lift the top two ladder sections (C+D), and separate from the third section (E) by half the full width.

3.0 STEP

3.1
Align the top rung (F) with the bracket cut out (G) and fully open the ladder to slot into place.



3.2 - STAIRCASE USAGE

Align the lower rungs with the bracket cut out (G) and fully open the ladder to slot into place.

The rung used is determined by the stair height.



STAIRCASE USAGE HOW-TO

EXAMPLES

When extending the ladder on stairs, always leave a minimum of a two rung overlap beneath the bracket (G).

Warnings

- + Always ensure the ladder locks are engaged once the ladder is extended.
- + **DO NOT** stand on the top five rungs when the ladder is extended.





**LFI - Ladder & Fencing Industries
(Newent) Ltd.**

Horsefair Lane, Newent,
Gloucestershire GL18 1RP

Email: info@lfi-ladders.co.uk

 britishladders.co.uk     

