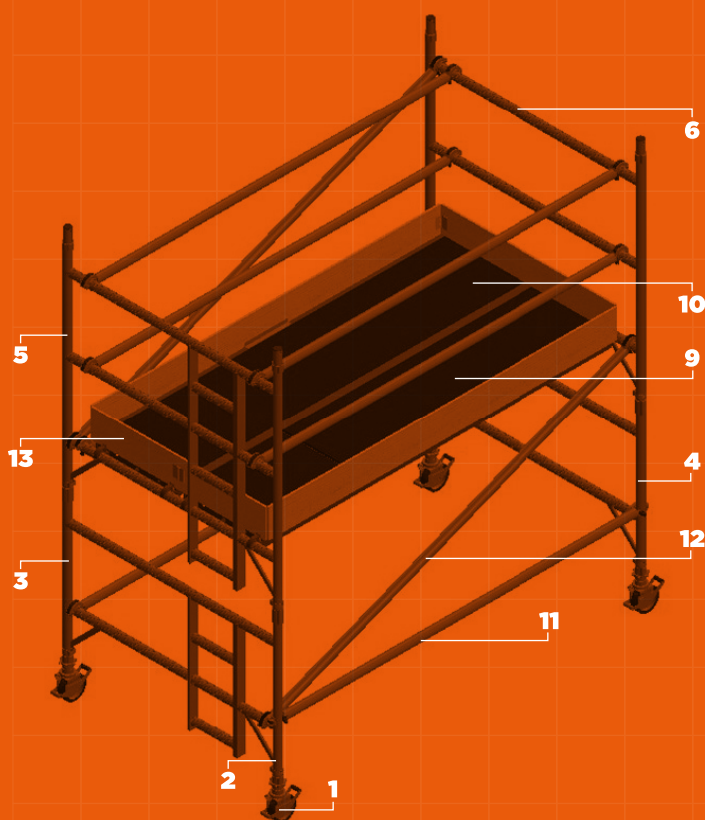


# DOUBLE WIDTH TOWER L 2.5m x W 1.45m

WORKING HEIGHT 3.7M | PLATFORM HEIGHT 1.7M



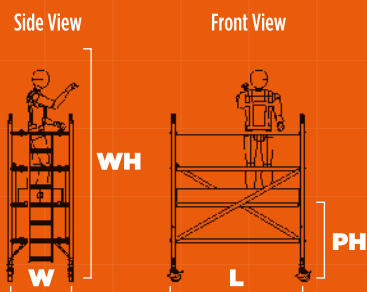
SPECIFICATION



## TOWER COMPONENTS

Item	Description	Quantity
1	150mm Locking Caster	4
2	Adjustable Leg 500mm	4
3	1m Ladder Frame	1
4	1m Span Frame	1
5	1.5m Ladder Frame	1
6	1.5m Span Frame	1
7	2m Ladder Frame	0
8	2m Span Frame	0
9	2.5m Trapdoor Platform	1
10	2.5m Fixed Platform	1
11	2.5m Horizontal Brace	6
12	2.7m Diagonal Brace	3
13	Complete Toe Board Set	1
14	S1 Stabiliser	0
15	S2 Stabiliser	0
16	Instruction Manual & EN1004:-1:2020 certificate of conformity	1

## TECHNICAL INFORMATION



Base Dimensions (L x W)	2.5 x 1.45
Max Platform Height (PH)	1.7
Max Working Height (WH)	3.7
Max Working Load	275 per Platform / 950 per Tower*
Weight (kg)	105.3

All dimensions in metres. \*Includes tower weight.

### Need more information?

Call us on 01531 820541 or  
email [info@lfi-ladders.co.uk](mailto:info@lfi-ladders.co.uk)

[britishladders.co.uk](http://britishladders.co.uk)

